



SANME



MP-PH 系列 履带移动反击式破碎站

*MP-PH Series Mobile Impactor
Plants*



上海山美重型矿山机械有限公司
SHANGHAI SANME MINING MACHINERY CO., LTD.
(中德合资控股)
(Sino-German JV Holding)

MP-PH Series Mobile Impactor Plants

MP-PH系列履带移动反击式破碎站

Redefines the processing of natural stone:
对岩石加工的重新定义:



Shanghai Sanme Mining Machinery Co., Ltd is a leading manufacturer of crushing and screening equipments in China, a Sino-German JV Holding company. With modern manufacturing capability and excellent R&D teams of professional engineers, we have devoted ourselves all the time to research and develop new products and technologies which make our developed products achieve advanced world standard. Our products are widely applied in the fields of aggregates processing, mineral processing, construction waste recycling, steel slag processing and cement industries, meanwhile, they have been exported to more than 30 countries in the world. Our aim is to provide reliable products and services for global customers and create values for our customers.

HAZEMAG is the inventor of impact crusher, since 1946, following the world-wide introduction of the pioneering Andreas Impact Crusher, HAZEMAG has grown to become a leader in the field of crusher designing and process engineering, with total sales of more than 70,000 crushers worldwide.

上海山美重型矿山机械有限公司是中国领先的破碎筛分设备制造商，是中德合资控股公司。拥有现代化的加工制造能力和由优秀的工程师组成的研发队伍，公司坚持对新产品、新技术的大力研发，使开发的产品具有国际先进水平，目前我们的产品在砂石骨料生产、矿物加工、建筑废物回收和水泥行业等领域得到广泛应用，并已经出口到世界上三十多个国家和地区。我们的目标是为全球客户提供值得信赖的产品和服务，为客户创造价值。

哈兹马克公司是反击式破碎机的发明者，自1946年以来，随着先进的Andreas反击式破碎机在全世界的引入，哈兹马克成为了破碎机设计和加工工程领域的领导者，在全世界售出了超过70,000台的破碎机。

SANME-HAZEMAG MP-PH Series Mobile Impactor Plant is designed by HAZEMAG Germany, it is an all-purpose, compact and modular impact crushing plant for aggregates and recycling industries.

山美 - 哈兹马克 MP-PH 系列履带移动反击式破碎站是由德国 HAZEMAG 公司设计的多用途、紧凑型 and 模块化的反击式破碎站，用于采石场和回收行业。

The reliable processing plant MP-PH carries on the advanced HAZEMAG technology concept. It can be optimally used as a primary crushing plant, the optional high-performance magnet allows for an efficient employment in the recycling industry. The plant is eminently suitable for the processing of blasted natural stone and provides an excellent final grain size.

可靠的 MP-PH 系列破碎站体现了哈兹马克先进的技术概念，作为初级破碎站使用最佳，可选装的高性能除铁器能够有效地应用于回收行业，该破碎站特别适合于加工岩石，能够获得极佳粒形的最终产品。

The MP-PH crushing plant impresses with a robust and functional design in a sturdy constructive form, and simultaneously can be operated economically.

令人印象深刻的是 MP-PH 系列破碎站的耐用结构设计富有经验和具备多功能，同时运行经济。

Both the dynamic control system and the optimized crushing cavity geometry of MP-PH crushing plant ensure maximum throughput continuity and a homogenous final grain size.

MP-PH 系列破碎站的动态控制系统和最佳的破碎腔结构确保了最大输出的连续性和同质的最终粒度。



SANME - HAZEMAG

MP-PH Series Mobile Impactor Plant has the innovative features as follows:

山美 - 哈兹马克

MP-PH系列履带移动反击式破碎站具有如下创新点：

A number of innovative functions make the SANME-HAZEMAG MP-PH Series Mobile Impactor Plant an interesting processing plant for the aggregates as well as for the recycling industries:

一系列的创新功能使得山美 - 哈兹马克 MP-PH 系列履带移动反击式破碎站成为令采石场和回收行业非常感兴趣的破碎站：

Features and Benefits

主要特点和优点

- 1 The vibration feeder is fitted with a two-deck grizzly section for an optimum pre-scaling, thus maximizing the total performance and reducing wear.

装有两层格栅的振动给料机使预筛分最优，因此使整体性能最大化并且减少了磨损。
- 2 The material, which has already the required grain size, is conveyed via a bypass past the impact crusher directly to the discharge chute. Thus the efficiency of the complete plant is increased.

满足粒度要求的物料无需进入破碎机而经旁路溜槽直接落到反击破碎机下面的皮带上，因此提高了系统的效率。
- 3 The MP-PH crushing plant is fitted with the field-tested HAZEMAG impact crusher AP-PH-A. The hydraulic controlled impact crusher guarantees a constant product quality and a high availability.

MP-PH 系列破碎站配备性能优异的哈兹马克 AP-PH-A 系列反击式破碎机，具备液压控制系统的反击式破碎机确保了恒定的产品质量和高可用性。
- 4 The active hydraulic permit a trouble free material flow via the movable inlet plate of the impact crusher.

液压系统通过控制反击式破碎机的可活动反击板，可使不可破碎物顺利通过破碎机。
- 5 The diesel-direct drive in combination with a CATERPILLAR motor allows for a maximum performance at a small amount of space.

柴油机直接驱动结合卡特彼勒电机使性能在小空间的条件下最大化。
- 6 The processing plant is easy to operate with the remote control.

通过遥控装置可以方便的操作移动破碎站。
- 7 Magnetic separator, lateral discharge belt and water spray system are optionally available as approved HAZEMAG modules.

作为哈兹马克的模块设计，除铁器、侧出料皮带和喷水系统是可选装的。
- 8 For the optimization of performance and availability the mobile processing plant is operated by an intelligent control in the background.

采用智能控制的移动式破碎站能够达到最优的性能。

SANME-HAZEMAG MP-PH Series Mobile Impactor Plant, the cost of which has been thoroughly optimized, convinces by its stability, wear cost which are considerably below average, long maintenance intervals and minimum set-up times.

山美 - 哈兹马克 MP-PH 系列履带移动反击式破碎站的成本完全优化，具有稳定性、低于平均水平的磨耗成本、较长的维修间隔和最少的安装时间。



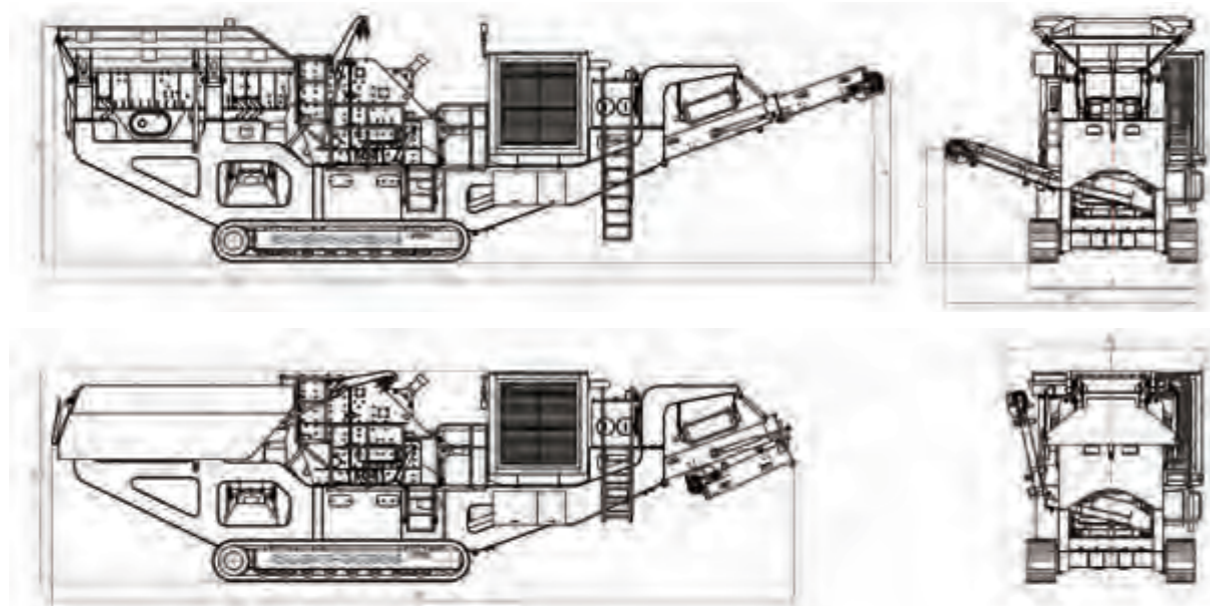


SANME-HAZEMAG MP-PH Series Mobile Impactor Plant is one of the most economical impact crushers of its class; it is a truly world-class product.

山美 - 哈兹马克 MP-PH 系列履带移动反击式破碎站为其同等级中最经济的，是真正世界级产品。

All in all the SANME-HAZEMAG MP-PH Series Impactor Plants convince by a flexible applicability, it processes limestone, reinforced concrete, bricks and asphalt with the directly driven HAZEMAG impact crusher into high-quality final grain sizes. An excellent mobility, a high performance at a comparably low weight and an efficient drive permit a remarkable economic crushing.

总而言之，山美 - 哈兹马克 MP-PH 系列履带移动反击式破碎站具有灵活的应用，通过直驱的哈兹马克反击式破碎机，它可将石灰石、钢筋混凝土、砖块和沥青混凝土加工成高品质的产品。移动性佳，性能优异，加工成本低。



Technical Data

设备技术参数

| MP-PH 系列履带移动反击式破碎站 MP-PH Series Mobile Impactor Plants | MP-PH 10 | MP-PH 14 |
|--|------------------|------------------|
| 反击式破碎机型号 Impact Crusher Model | AP-PH-A 1010 | AP-PH-A 1414 |
| 进料口尺寸 Feed opening size (mm×mm) | 810×1030 | 1025×1360 |
| 最大进料体积 Max feed size (m ³) | 0.3 | 0.5 |
| 最大进料边长 Max edge length in one direction (mm) | 800 | 1000 |
| 处理量 Crushing capacity (t/h) | 最大 up to 250 | 最大 up to 420 |
| 驱动方式 Drive | 直驱 diesel-direct | 直驱 diesel-direct |
| 动力装置 Driving Unit | | |
| 发动机 Engine | CAT C9 | CAT C18 |
| 功率 Power (kw) | 242 | 470 |
| 给料斗 Feed Hopper | | |
| 料斗容积 Hopper volume (m ³) | 4.8 | 8.5 |
| 棒条给料机 Grizzly Feeder with Pre-screening (Two-deck) | | |
| 驱动方式 Drive | 液压 hydraulic | 液压 hydraulic |
| 主皮带机 Main Conveyor Belt | | |
| 卸料高度 Discharge height (mm) | 3100 | 3500 |
| 驱动方式 Drive | 液压 hydraulic | 液压 hydraulic |
| 侧皮带机 (选装) Side Conveyor Belt (Option) | | |
| 卸料高度 Discharge height (mm) | 1900 | 3500 |
| 驱动方式 Drive | 液压 hydraulic | 液压 hydraulic |
| 运输时皮带机头部可以折叠 For transportation the head-piece can be folded | | |
| 履带行走装置 Crawler Unit | | |
| 驱动方式 Drive | 液压 hydraulic | 液压 hydraulic |
| 永磁自卸式除铁器 Permanent Magnetic Separator | | |
| 除铁器 Magnetic separator | 可选 option | 可选 option |
| 外形尺寸和重量 Dimensions and Weights | | |
| 工作状态外形尺寸 Working dimensions | | |
| - 长度 Length (mm) | 14600 | 18000 |
| - 宽度 Width (mm) | 4500 | 6000 |
| - 高度 Height (mm) | 4200 | 4800 |
| 运输状态外形尺寸 Transport dimensions | | |
| - 长度 Length (mm) | 13300 | 17000 |
| - 宽度 Width (mm) | 3350 | 3730 |
| - 高度 Height (mm) | 3776 | 4000 |
| 重量约 Approx weight (t) | 43 | 70 |

注：上述生产能力是在破碎物料堆比重为 1.6t/m³ 时开路循环生产中总吨数。生产能力与破碎物料的物理性能、给料方式、进料粒度及其组成等工况有关。
Note: Capacity is the total production tons of open circuit when the material bulk density to be crushed is 1.6t/m³. Production capacity will be affected by physics character of material and feeding method, feeding size and material composition, and so on.



山美 上海山美重型矿山机械有限公司
SHANGHAI SANME MINING MACHINERY CO., LTD.
(中德合资控股)
(Sino-German JV Holding)

SANME

地址：上海市奉贤区青村镇奉村路 258 号
邮编：201414
电话：021-5759 1166 5759 1188
传真：021-5756 6188 5820 0089
网址：www.shsmzj.com
电邮：info@sanmecrusher.com

Add: No.258, Fengcun Road, Qingcun County, Fengxian District,
Shanghai 201414, China
Tel: +86-21-5712 1166 5759 1188
Fax: +86-21-5756 6188 5820 0089
Website: www.sanmecrusher.com
E-mail: sales@sanmecrusher.com

免费热线：400-921-5566
售后专线：021-5712 7766

Free Hotline: 400-921-5566
Service Center: +86-21-5712 7766

-
- 我们的产品在不断的更新和改进中，我们保留在未事先告知用户的情况下，更改参数及设计的权力。
Our products are constantly updated and improved, we reserve the right to change parameters and design without advance notification of customers.
 - 照片中产品外观颜色与实际机型存在差异，颜色标准以实物为准。
If there are any discrepancy and difference between color of product appearance and actual machine type in the picture, color standard is subject to actual object.
 - 本手册中的配置不一定是出厂标准配置，购买时请详细咨询我们。
Specifications and design in the brochures are not always the standard. Please consult us particularly when purchasing.