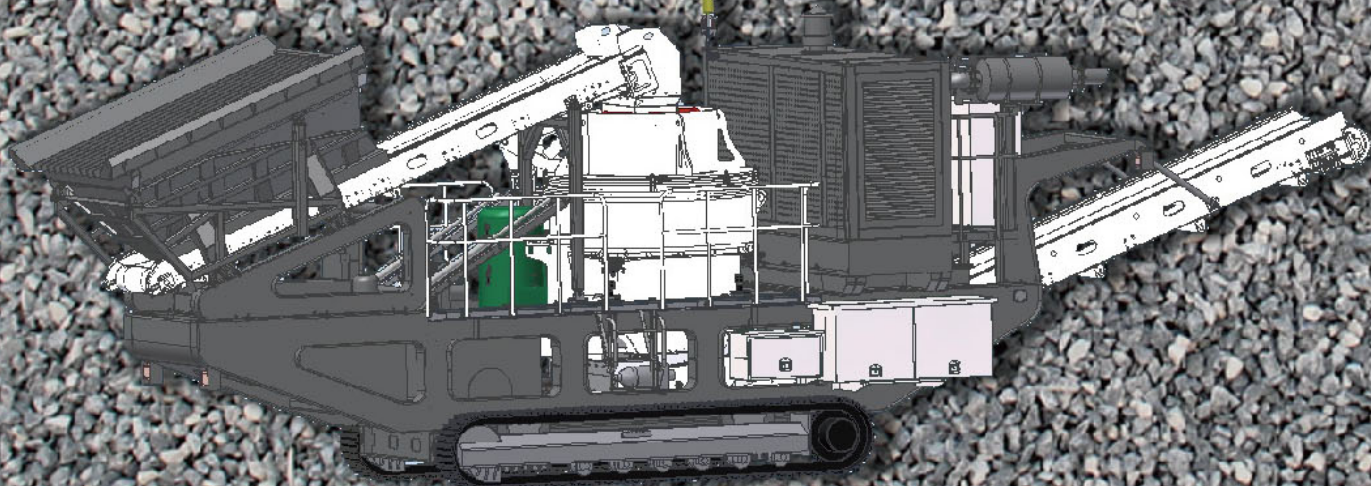


# SANME

## 欧星 MP-VSI 系列履带移动立式冲击破碎站 MP-VSI Series Mobile VSI Crushing Plants

德国技术  
German Technology



上海山美重型矿山机械有限公司 (德国哈兹马克合资公司)  
SHANGHAI SANME MINING MACHINERY CO., LTD. (JV WITH HAZEMAG GERMANY)



上海山美重型矿山机械有限公司是中国领先的破碎筛分设备制造商，是德国哈兹马克公司在中国的合资公司。我们能够给客户id提供全系列破碎筛分设备和完整解决方案，产品包括圆锥破碎机、颚式破碎机、反击式破碎机、立式冲击破碎机（制砂机）、振动筛、细砂回收系统、轮式移动破碎站和履带式移动破碎站。我们的目标是为全球客户提供值得信赖的产品和服务，为客户创造价值。

Shanghai Sanme Mining Machinery Co.,Ltd is a leading manufacturer of crushing and screening equipments in China, a joint venture with HAZEMAG Germany. We can offer full range of crushing and screening equipment, including cone crusher, jaw crusher, impacter, VSI (Sand Maker), screen, fine sand collecting system, portable crushing plant and mobile crushing plants, but also provide total solutions. Our aim is to provide reliable products and services for global customers and create values for our customers.

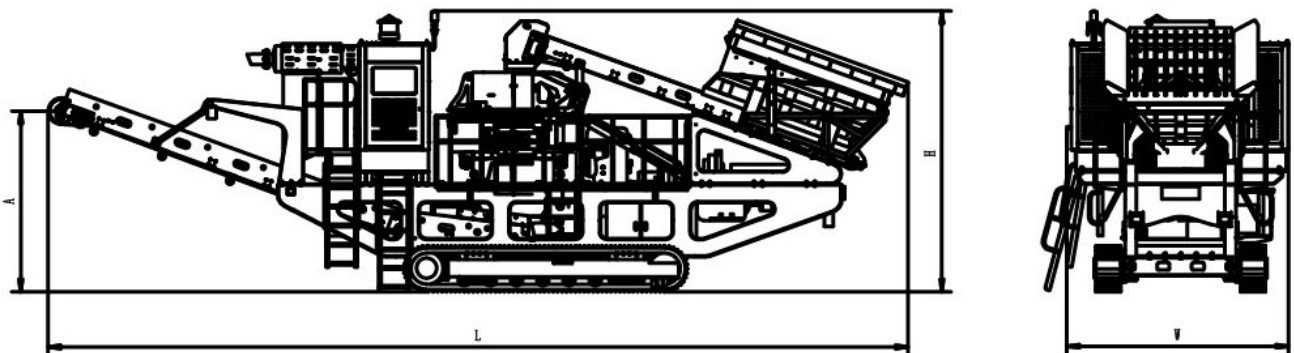
## 欧星 MP-VSI 系列履带移动立式冲击破碎站 MP-VSI Series Mobile VSI Crushing Plants

欧星 MP-VSI 系列履带移动立式冲击破碎站采用德国技术设计和制造，达到了国际先进水平，在设计中广泛采用了世界上最先进的移动破碎技术，能够完全满足客户的移动破碎要求，改变您的盈利模式。

Designed and manufactured with German technology, MP-VSI Series Mobile VSI Crushing Plants have reached the world advanced level. The plant adopts first level mobile crushing technique, which fully meets the customers' requirement of high mobility, high crushing efficiency and optimizes your business mode.

## 欧星 MP-VSI 系列履带移动立式冲击破碎站可以应用于： MP-VSI Series Mobile VSI Crushing Plants are applicable for:

- ◆ 矿物和硬岩破碎
- ◆ 制砂和整形
- ◆ Minerals and Hard Rock Crushing
- ◆ Making Sand and Aggregates Shaping



## 技术参数: Technical Specifications:

欧星 MP-VSI 系列履带移动立式冲击破碎站 MP-VSI Series Mobile VSI Crushing Plants	MP-VSI 5000	MP-VSI 6000	MP-VSI 7000
立式冲击破碎机型号 VSI Crusher Model	VSI 5000	VSI 6000	VSI 7000
最大进料粒度 Max feed size ( mm )	65	70	70
处理量 Crushing capacity ( t/h )	80-150	120-250	180-350
<b>动力装置 Driving Unit</b>			
发动机 Engine	Cummins or CAT	Cummins or CAT	Cummins or CAT
功率 Power ( kw )	400	480	550
<b>给料斗 Feed Hopper</b>			
料斗容积 Hopper volume ( m <sup>3</sup> )	4	6	6
<b>带式给料机 Belt Feeder</b>			
驱动方式 Drive	液压 hydraulic	液压 hydraulic	液压 hydraulic
<b>主皮带机 Main Conveyor Belt</b>			
卸料高度 Discharge height ( mm )	2900	3300	3300
驱动方式 Drive	液压 hydraulic	液压 hydraulic	液压 hydraulic
<b>履带行走装置 Crawler Unit</b>			
驱动方式 Drive	液压 hydraulic	液压 hydraulic	液压 hydraulic
<b>外形尺寸和重量 Dimensions and Weights</b>			
工作状态外形尺寸 Working dimensions			
- 长度 Length ( mm )	13767	13940	13940
- 宽度 Width ( mm )	3621	3820	3920
- 高度 Height ( mm )	4425	4980	4980
运输状态外形尺寸 Transport dimensions			
- 长度 Length ( mm )	14273	14320	14320
- 宽度 Width ( mm )	3543	3751	3851
- 高度 Height ( mm )	4024	4130	4330
重量 Weight ( t )	38	43	47

注: 上述生产能力是在破碎物料堆比重为 1.6t/m<sup>3</sup> 时开路循环生产中总吨数。生产能力与破碎物料的物理性能、给料方式、进料粒度及其组成等工况有关。  
Note: Capacity is the total production tons of open circuit when the material bulk density to be crushed is 1.6t/m<sup>3</sup>. Production capacity will be affected by physics character of material and feeding method, feeding size and material composition, and so on.



上海山美重型矿山机械有限公司 (德国哈兹马克合资公司)  
SHANGHAI SANME MINING MACHINERY CO., LTD. (JV WITH HAZEMAG GERMANY)



版权所有 翻印必究 中国印刷 Printed in China SANME-08-4C | MP-V8 | 2012-11 | 15000

地址：上海市奉贤区青村镇奉村路 258 号  
邮编：201414  
电话：021-5759 1166 5759 1188  
传真：021-5756 6188 5820 0089  
网址：www.shsmzj.com  
电邮：info@sanmecrusher.com

Add: No.258, Fengcun Road, Qingcun County,  
Fengxian District, Shanghai 201414, China  
Tel: +86-21-5712 1166 5759 1188  
Fax: +86-21-5756 6188 5820 0089  
Website: www.sanmecrusher.com  
E-mail: sales@sanmecrusher.com

**免费热线：400 921 5566**  
**售后专线：021-5712 7766**

**Free Hotline: 400 921 5566**  
**Service Center: +86-21-5712 7766**

- 我们的产品在不断的更新和改进中，我们保留在未事先告知用户的情况下，更改参数及设计的权利。  
*Our products are constantly updated and improved, we reserve the right to change parameters and design without advance notification of customers.*
- 照片中产品外观颜色与实际机型存在差异，颜色标准以实物为准。  
*If there are any discrepancy and difference between color of product appearance and actual machine type in the picture, color standard is subject to actual object.*
- 本手册中的配置不一定是出厂标准配置，购买时请详细咨询经销商。  
*Specifications and design in the brochures are not always the standard. Please consult our dealers or distributors particularly when purchasing.*