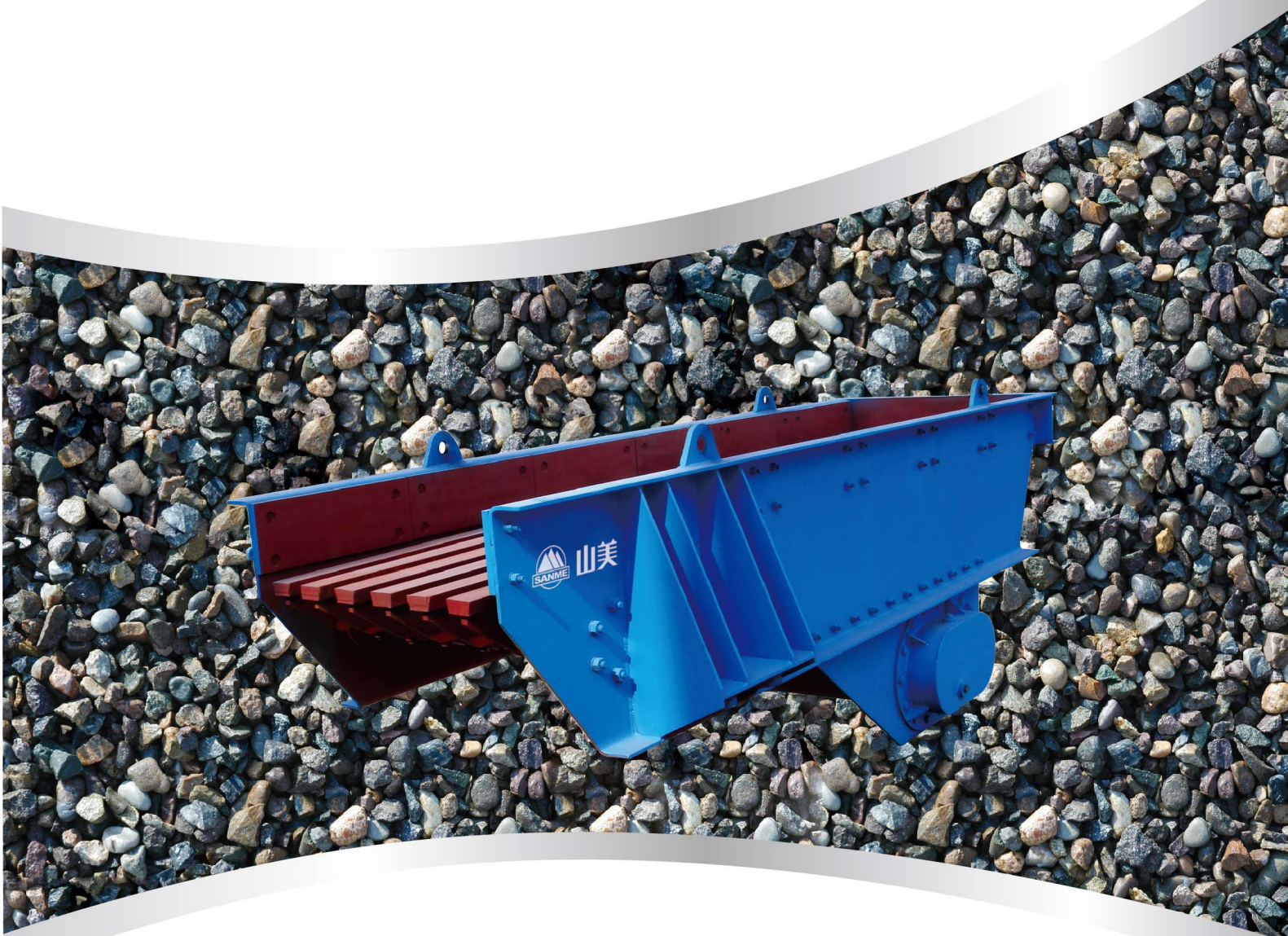


SANME

ZSW系列振动给料机

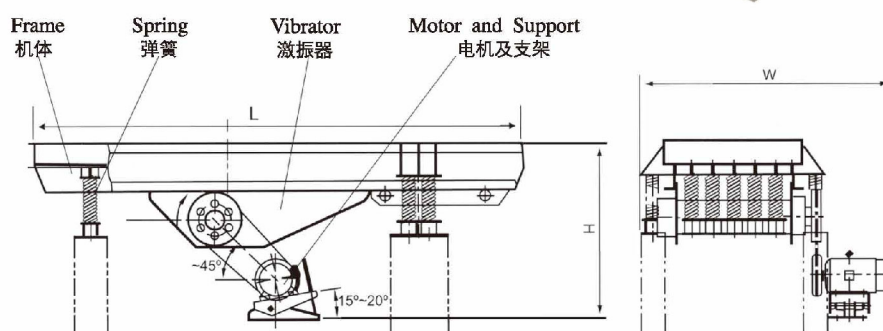
ZSW Series Vibrating Grizzly Feeder



山美

上海山美重型矿山机械有限公司 (德国哈兹马克合资公司)
SHANGHAI SANME MINING MACHINERY CO., LTD. (JV WITH HAZEMAG GERMANY)

ZSW系列振动给料机 *ZSW Series Vibrating Grizzly Feeder*



ZSW系列振动给料机主要用于粗破碎机前连续、均匀给料、同时可筛分细料、使破碎机能力增大。

ZSW Series Vibrating Grizzly Feeder is mainly used to feed material into the primary crusher homogeneously and continuously. Meanwhile, it can screen the fine material and make the crusher more powerful.

特点及优势:

- ⊙ 振动平稳
- ⊙ 特殊栅条设计, 可防止物料堵塞
- ⊙ 栅条间隙可调
- ⊙ 可选装变频调速电机, 便于控制给料量, 无需频繁启动电机。

Features and Benefits:

- ⊙ Smooth vibrating
- ⊙ The special fence can prevent the block of raw material
- ⊙ The distance between fences is adjustable
- ⊙ Frequency conversion motor can be equipped to facilitate feeding control, and frequent startup of motor is avoided.

技术参数 *Technical Data*

型号 Model	最大进料粒度 Max Feed Size(mm)	处理能力 Capacity(t/h)	电机功率 Motor Power(kw)	外型尺寸 Overall Dimensions(L×W×H)(mm)	重量 Weight(kg)	料槽尺寸 Size of Funnel(mm)
ZSW-380×95	500	96-160	11	3882×2224×2121	4082	3800×950
ZSW-490×95	500	120-240	15	4957×2277×2150	5004	4900×950
ZSW-490×110	580	120-280	15	4957×2400×2150	5320	4900×1100
ZSW-590×110	600	200-350	22	6000×2500×2150	6130	5900×1100
ZSW-600×130	750	400-560	22	6082×2580×2083	7800	6000×1300
ZSW-600×150	1000	800	30	6627×2350×3068	12110	6000×1500
ZSW-600×200	1000	1200	37	6436×3853×3014	18650	6000×2000



上海山美重型矿山机械有限公司 (德国哈兹马克合资公司)
SHANGHAI SANME MINING MACHINERY CO., LTD. (JV WITH HAZEMAG GERMANY)



地址：上海市奉贤区青村镇奉村路 258 号
电话：021-5756 6166 021-5820 2968
传真：021-5756 6188 021-5820 0089
邮编：201414
网址：www.shsmzj.com
电邮：info@sanmecrusher.com

Add: No.258, Fengcun Road, Qingcun County,
Fengxian District, Shanghai 201414, China
Tel: +86 21 5756 6166 +86 21 5820 2968
Fax: +86 21 5756 6188 +86 21 5820 0089
Website: www.sanmecrusher.com
E-mail: sales@sanmecrusher.com

◎我们的产品不断的更新和改进中，我们保留在未事先告知用户的情况下，更改参数及设计的权利。

Our products are constantly updated and improved, we reserve the right to change parameters and design without advance notification of customers.

◎照片中产品外观颜色与实际机型存在差异，颜色标准以实物为准。

If there are any discrepancy and difference between color of product appearance and actual machine type in the picture, color standard is subject to actual object.

◎本手册中的配置不一定是出厂标准配置，购买时请详细咨询经销商。

Specifications and design in the brochures are not always the standard. Please consult our dealers or distributors particularly when purchasing.